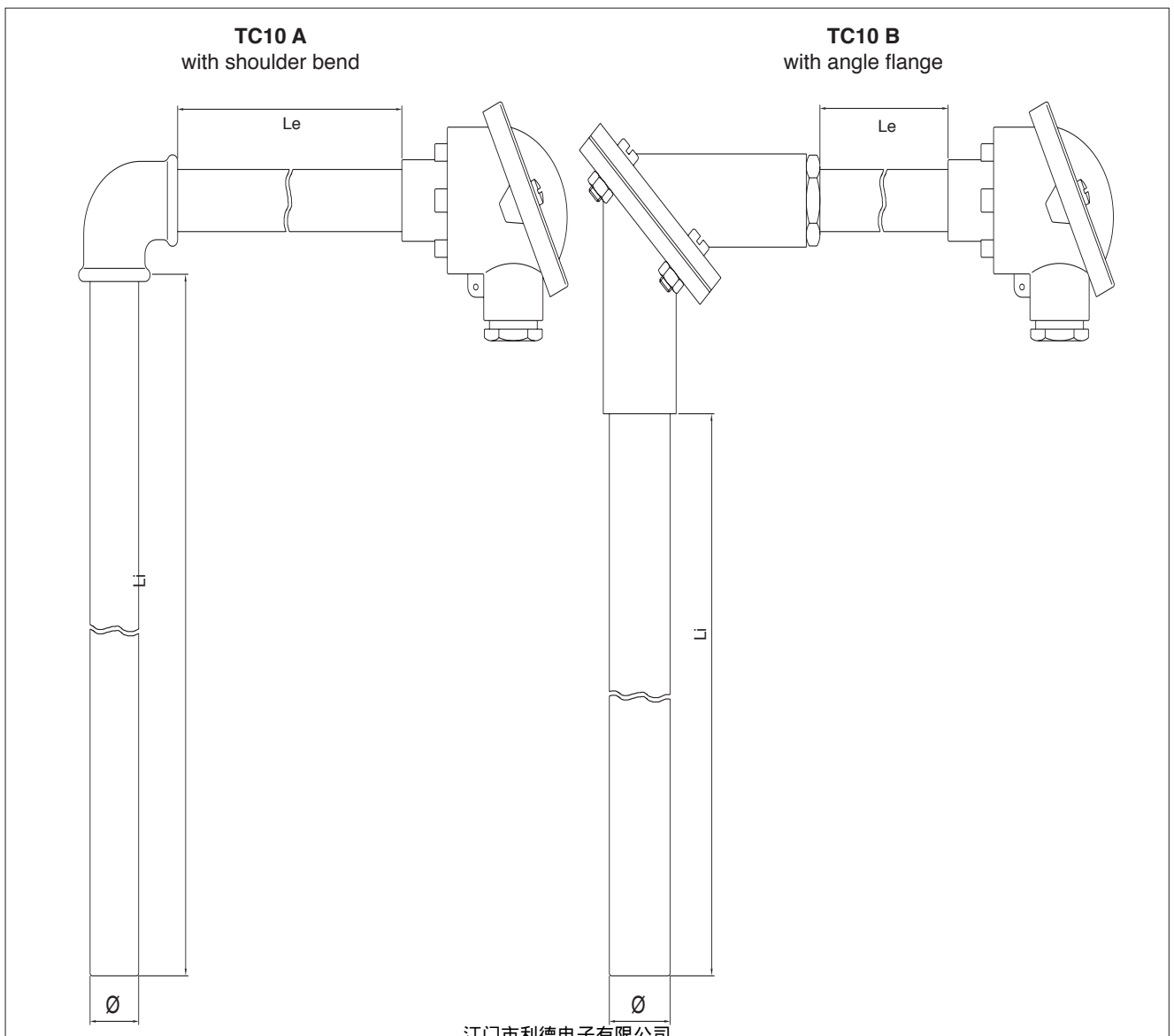




### Main features

- Temperature limits:
  - 40 ... + 750° C for type J
  - 40 ... + 1200° C for type K
 (see table for sheath diameters)
- Tolerance (IEC standard 584.2/Class 2):
  - $\pm 2.5^{\circ} \text{C}$  (- 40 ... + 333° C)
  - $\pm 0.0075 [t]$  ( $t > + 333^{\circ} \text{C}$ )
- Ceramic insulation of the thermocouple element
- Suitable for direct insertion into molten metal

### MODELS



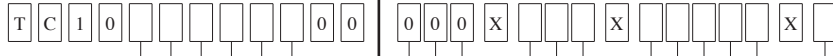
江门市利德电子有限公司

广东省江门市五邑碧桂园翠山聆水二街68号 邮编: (zip)529000

电话: + 86 750 3289680 3289698 传真: + 86 750 3289699

http://www.leadersensors.com E-mail: leader@leadersensors.com

# ORDER CODE



## CODE

Model	
With shoulder bend	A
With angle flange	B

Element + Hot Junction	
Single Insulated	1
Double Insulated	3

Connection Head	
Fe - Cu/Ni	J
Ni/Cr - Ni/Al	K

Sheath Material	
DIN B	C
DIN A	D
DIN BUS	E

Sheath Material	
AISI 310	B *
AISI 316	C *
INCONEL 600	F *
Spheroidal Cast Iron	H **
Grafito	O ***
AISI 446	P *

(\*) Available with sheath  $\phi$  1/2, 3/4 and 1" GAS only  
 (\*\*) Available with 35mm sheath  $\phi$  only  
 (\*\*\*) Available with 50mm sheath  $\phi$  and with 400, 500, 600, 750, 920, 1100mm immersion lengths only

Sheath Diameter (mm)	
21.3 (1/2")	Q
26.7 (3/4")	T
33.4 (1")	V
35	X
50	Y

Certificates	
A	Conformity Report

## LENGTHS AND ACCESSORIES

Li = Immersion Length (mm)	
Standard length from 200 to 1000mm with 50mm step	

Le = Extension Length (mm)	
Standard length from 400 to 600mm with 100mm step	

